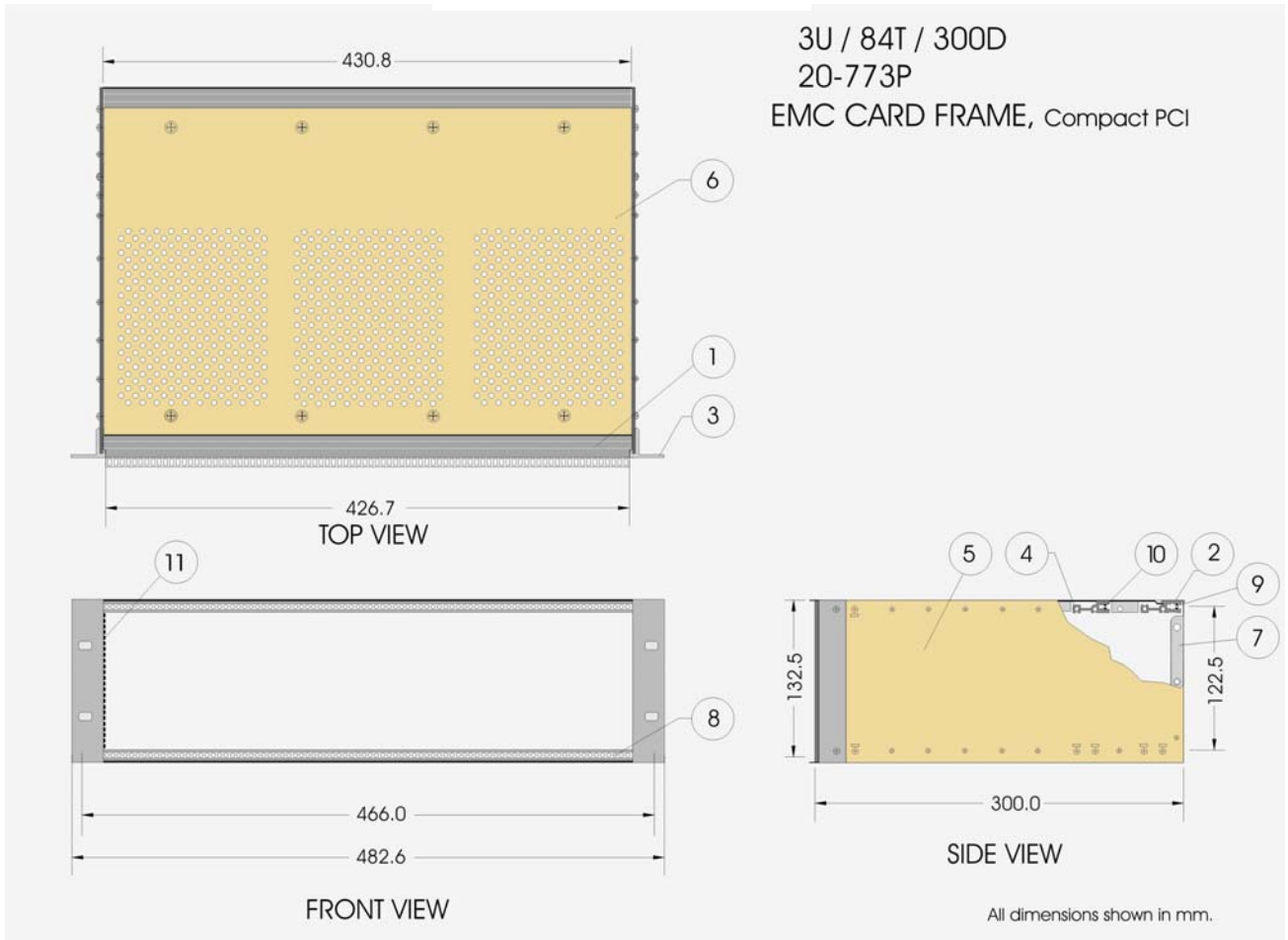


EMC Card Frame

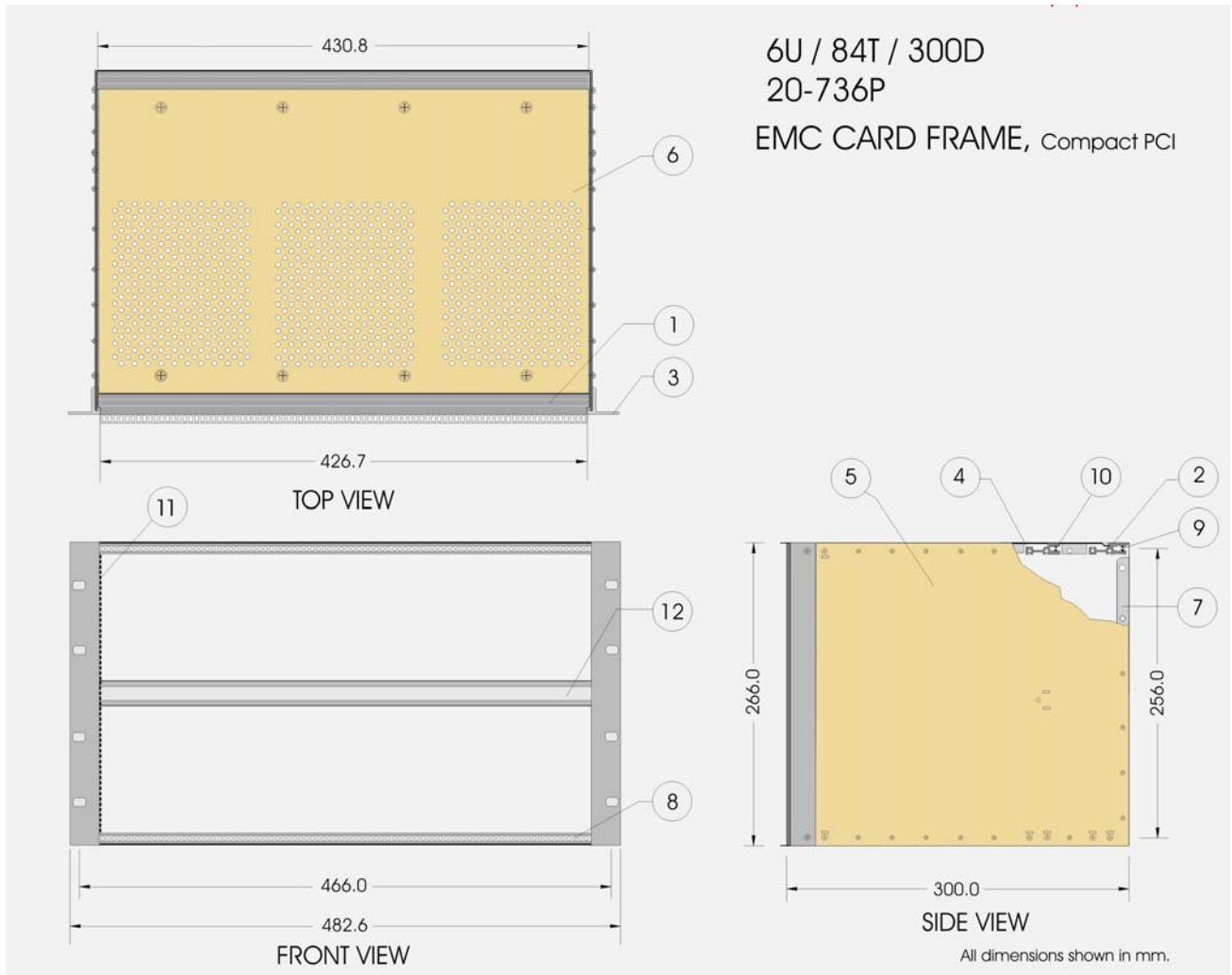


Compact PCI 3U



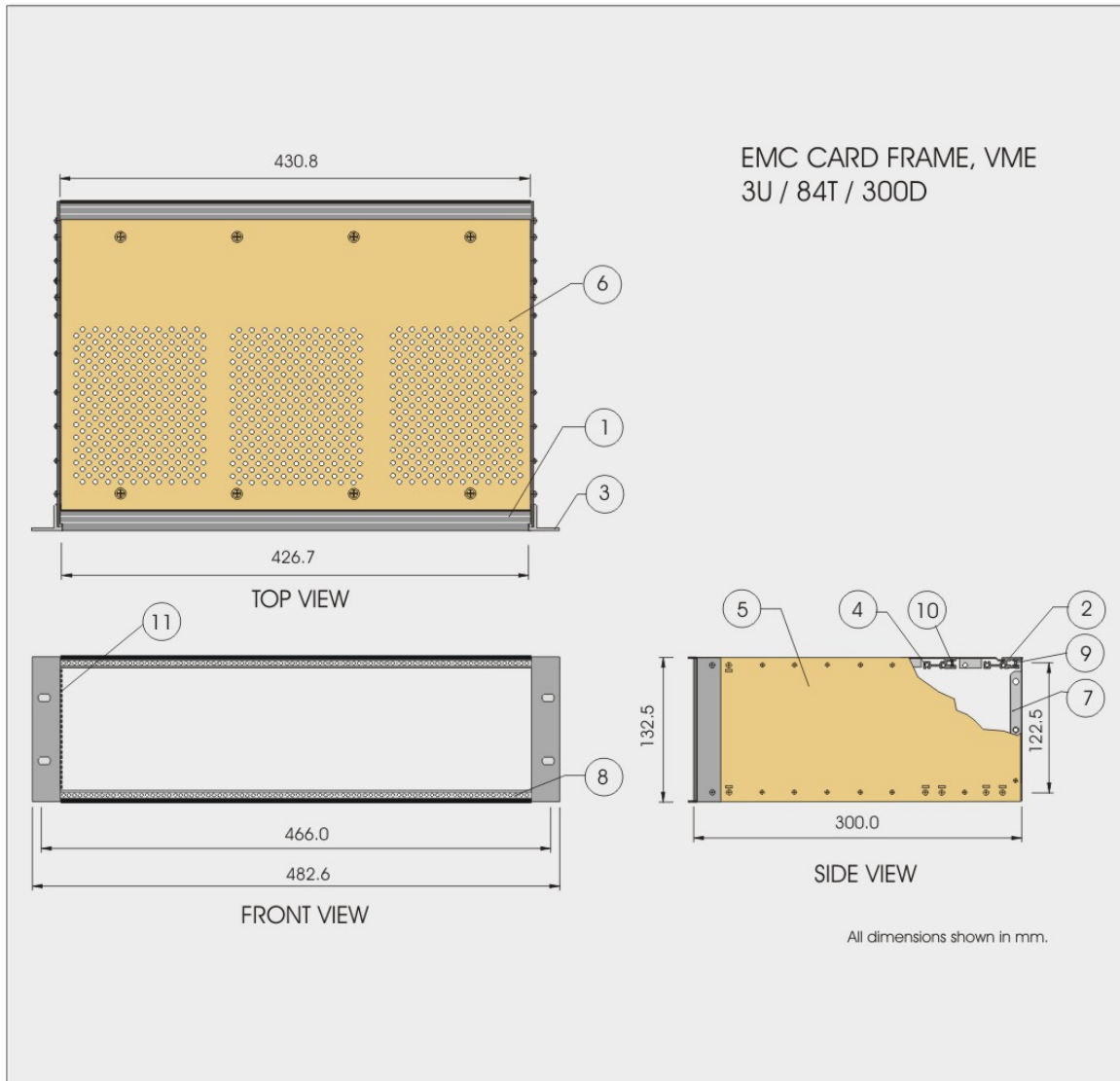
EMC Card Frame

Compact PCI 6U



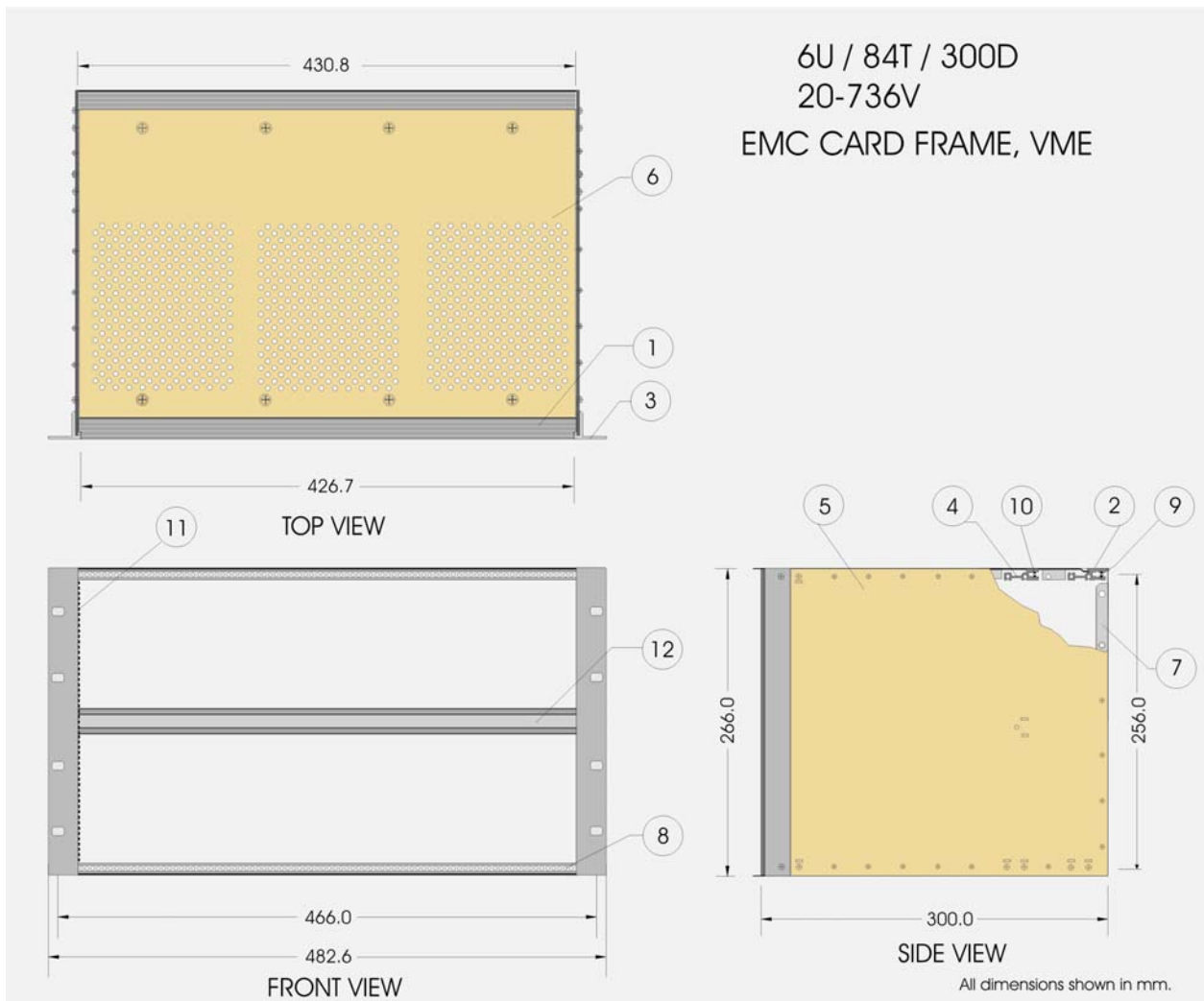
EMC Card Frame

VME 3U



EMC Card Frame

VME 6U



Scope of Supply

No	Description	Qty
1	Front Profile	2
2	Rear Profile	2
3	Side Angle Profile	2
4	Rear Profile	2
5	Side Panel	2
6	T/B Cover, vented	2
7	Rear Panel, Plain	1
8	Strip, Threaded M2.5, 84T 6 x 2	4
9	Strip, Threaded M3 84T 8-Holes 6 x 2	2
10	Strip, Threaded M2.5, 84T 5.5 x 1.5	2
11	RFI Gasket	1
12	Profile Double VME (for 6U only)	1