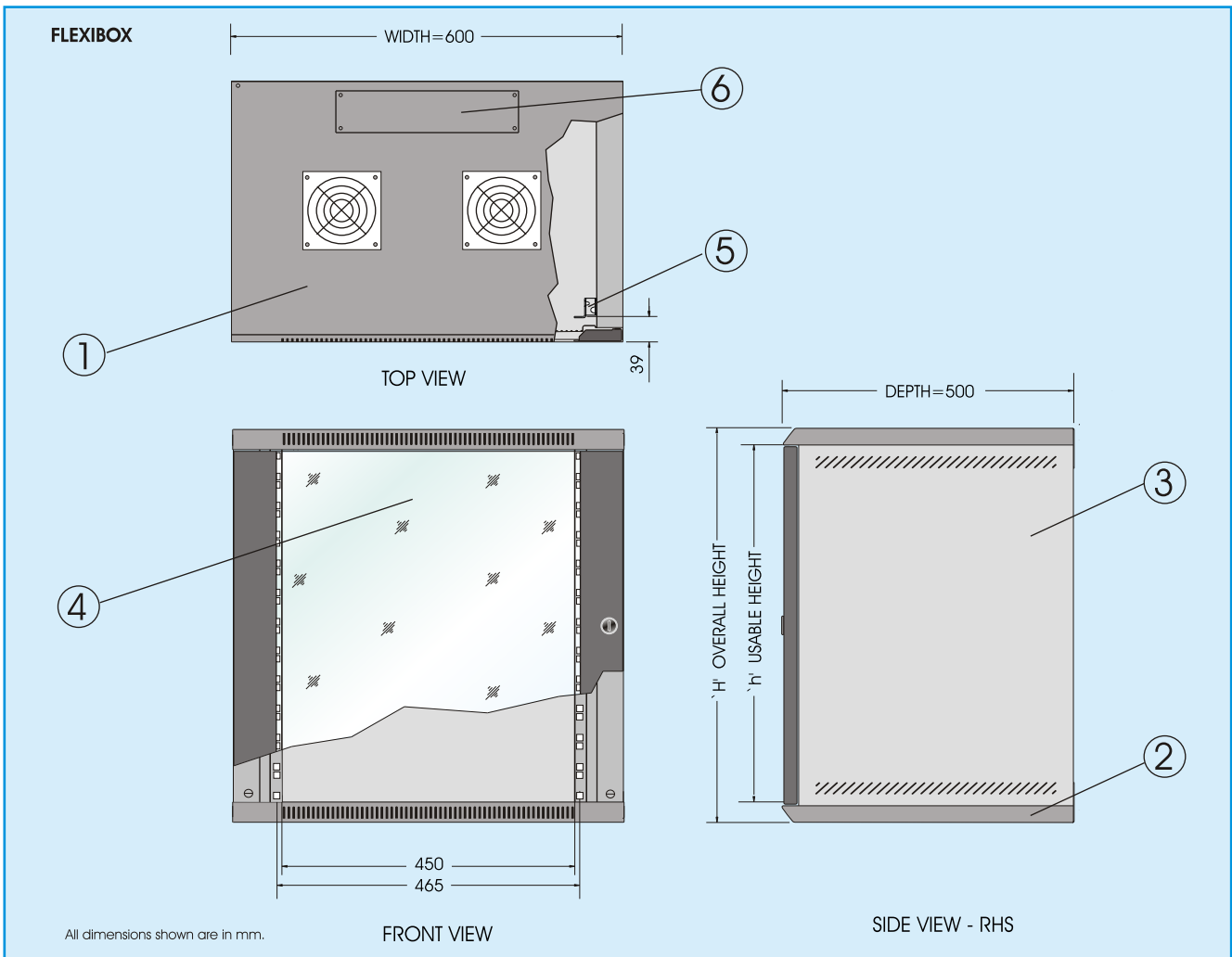


FlexiBOX



Scope of Supply

No.	Description	Qty.
1	Top Cover	1
2	Bottom Cover	1
3	Side Panels	2
4	Glass Door	1
5	19" 'L' Angle	2
6	Cover, cable entry (with plugs)	2
*	Socket Pan Head, M6x10	12
*	Square Nut, M6	12
*	Washer, Plain, M6	12

* Not shown

Dimensions

U	Height	
	Overall	Usable
	H	h
6U	341.75	272.75
9U	475.10	406.10
12U	608.45	539.45
15U	741.80	672.80