

EMC CARD FRAMES

APW President has extended its range of Card Frames by introducing an *Electromagnetically Compatible* (EMC) version. This important new class of card frames (subracks) has been designed to achieve EMC performance without the use of expensive RFI gaskets for shielding.

These card frames are carefully engineered so that all metal parts, which are chromate converted to ensure good electrical conductivity, have close tolerances and overlap at boundaries so as to provide adequate shielding against electrical fields.

This EMC compliant Card Frame provides mounting arrangements for either VME Motherboards or Compact PCI Back Planes. Access Panels, such as the front Facia Panels, are provided with RFI gasketing in the form of stainless steel finger stock.

Features

- Rapid assembly and easy accessibility
- Two versions available, conforming to VME format (IEC 60297) or Compact PCI standard (IEEE 1101.10)
- Side Panels are provided with "Half Shears"
- Side Angle profiles have special grooves for fitment of RFI finger stock. Normally this gasket is provided only on the left hand side vertical angle
- Top and bottom covers are provided with clusters of round venting holes of diameter 2.9mm
- Full range of accessories for direct mounting of connectors, back planes - or a combination of both
- Facia Panels for both 3U and 6U heights in widths of 4T, 6T, 9T and 12T. Facias are provided with RFI gaskets for shielding. These facias can be fitted with VME pullers, or PCB injectors / ejectors for Compact PCI applications

Sizes

Heights: 3U & 6U
Width : 84T
Depth : 300mm

Material and Finish

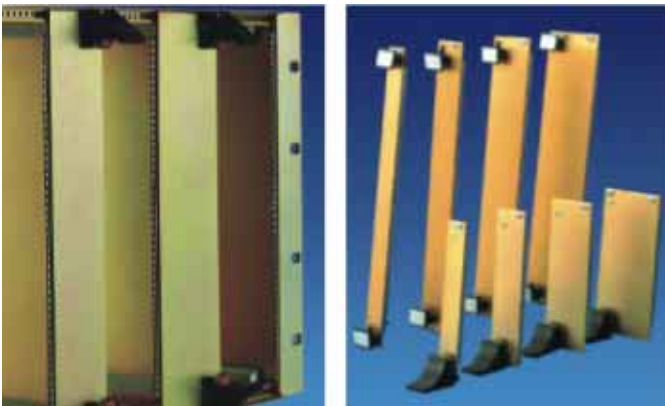
- Aluminium extrusions for width members. Side Panels are of 2.0mm thick aluminium sheets. Top, bottom and rear covers are made from 1.2mm aluminium sheets.
- All parts are chromate converted for good electrical conductivity and have yellow passivated finish.
- EMC Facia Panel sets are made from aluminium extrusions.



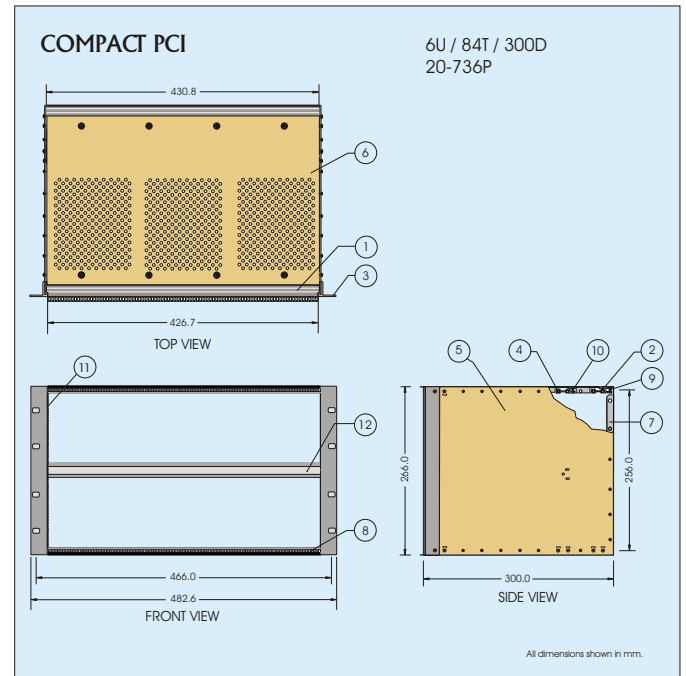
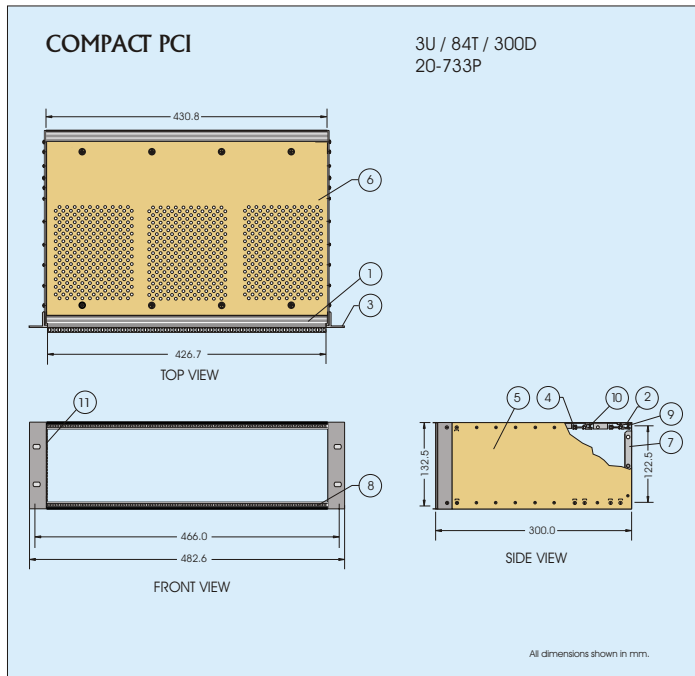
Front View



Rear view



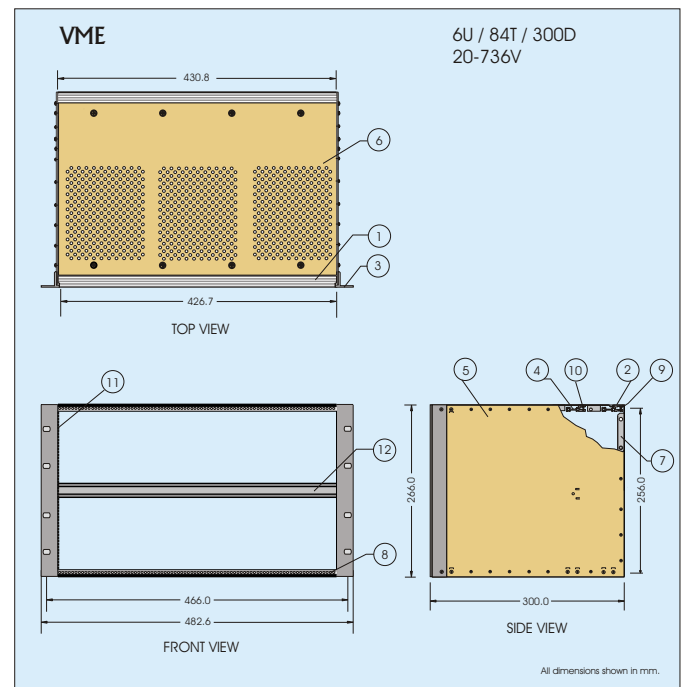
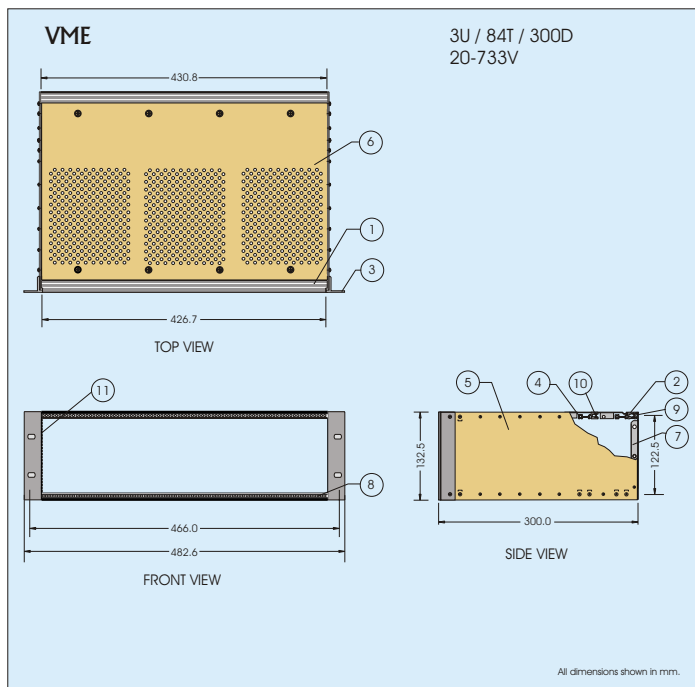
EMC Facias



Scope of Supply

No.	Description	Qty
1	Front Profile	2
2	Rear Profile	2
3	Side Angle Profile	2
4	Rear Profile	2
5	Side Panel	2
6	T/B Cover, vented	2

No.	Description	Qty
7	Rear Panel, Plain	1
8	Strip, Threaded M2.5, 84T 6 x 2	4
9	Strip, Threaded M3 84T 8-Holes 6 x 2	2
10	Strip, Threaded M2.5, 84T 5.5 x 1.5	2
11	RFI Gasket	1
12	Profile Double VME (for 6U only)	1



Ordering Information

EMC Card Frames

Height	Width	Depth=300mm	
		VME	PCI
3U	84T	20-733V	20-733P
6U	84T	20-736V	20-736P

NOTE: Top, Bottom Covers and Rear Panel (1.2mm) are included in the standard scope of supply

Facias for EMC Card Frames

Height	Width				
	Style	4T	6T	9T	12T
3U	VME	29-7304-V	29-7306-V	29-7309-V	29-7312-V
	PCI	29-7304-PY	29-7306-PY	29-7309-PY	29-7312-PY
6U	VME	29-7604-V	29-7606-V	29-7609-V	29-7612-V
	PCI	29-7604-PY	29-7606-PY	29-7609-PY	29-7612-PY