

FlexiBOX

Wall Mounting Cabinets for Lan/Wan Applications

President's Flexibox range of wall mount cabinets is ideally suited for deployment in LAN and WAN applications.

This new family of wall mounting 19" enclosures is supplied in CKD kits thus making them easy to handle and store. Assembly at site takes a matter of minutes using commonly available tools. Cable entry provisions on the Top and Bottom Panel offer convenient cable management options. Cut-outs with grills for fan mounting are a standard feature with the Top Cover.

These carefully designed and manufactured bolted enclosures offer the flexibility of shipping in CKD or Assembled condition without any compromise on rigidity.



Features

- Bolted construction
- Top and Bottom cable entry
- Maximum load carrying capacity of 40 Kgs
- Tinted glass Front Door, with lock
- Recessible 19" mounting angles at front
- Easy to assemble
- Normally supplied CKD - or assembled on request

Sizes

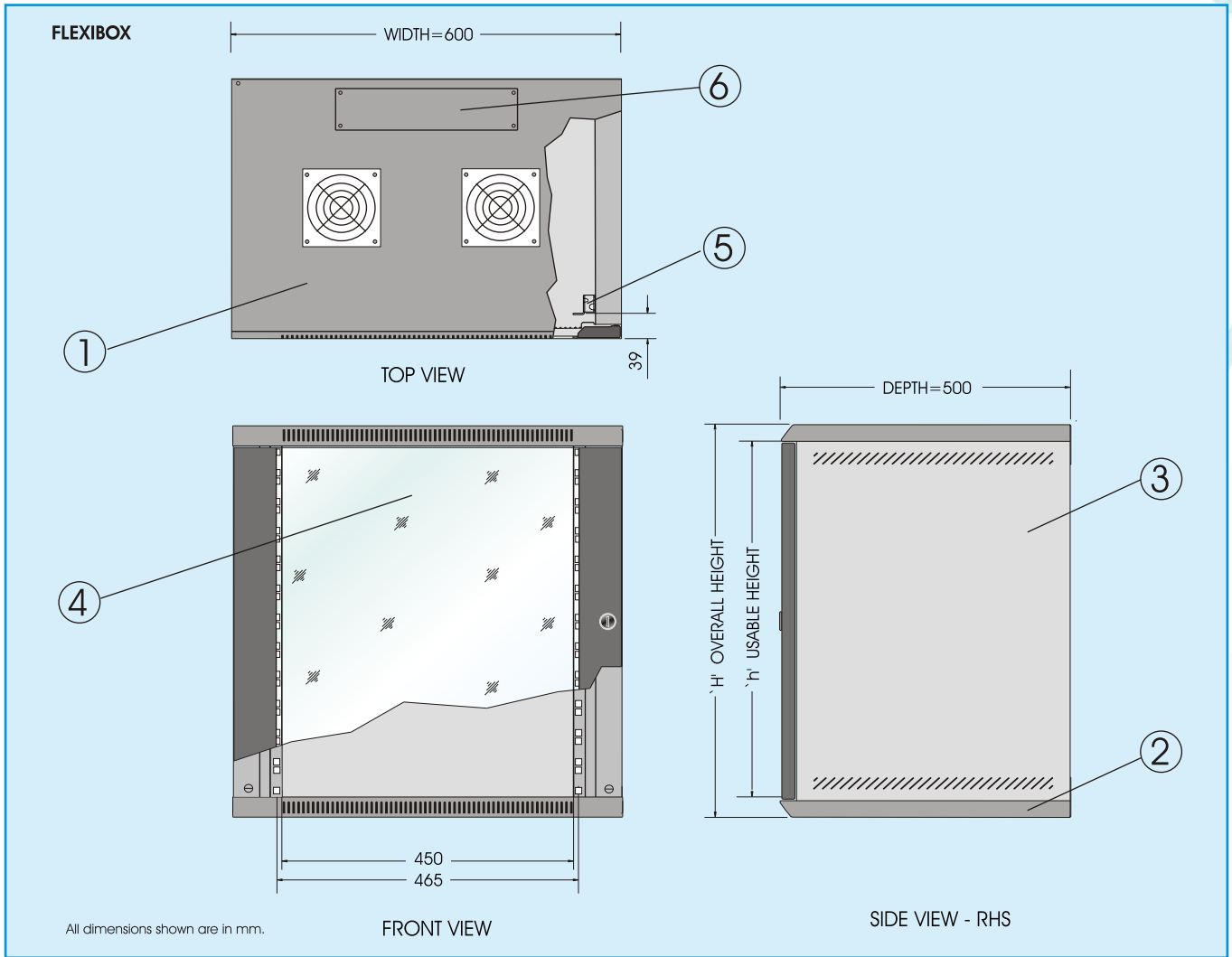
Heights : 6U, 9U, 12U, 15U

Width : 600mm

Depth : 500mm

Material and Finish

- Steel Cabinet powder coated Light Grey (RAL 7035)
- Front Glass Door trims powder coated Light Grey (RAL 7035)



Scope of Supply

No.	Description	Qty.
1	Top Cover	1
2	Bottom Cover	1
3	Side Panels	2
4	Glass Door	1
5	19" 'L' Angle	2
6	Cover, cable entry (with plugs)	2
*	Socket Pan Head, M6x10	12
*	Square Nut, M6	12
*	Washer, Plain, M6	12

* Not shown

Ordering Information

Description	Order Code
Flexibox 19", 6U/500MMD, 1Secn	31-F406-1
Flexibox 19", 9U/500MMD, 1Secn	31-F409-1
Flexibox 19", 12U/500MMD, 1Secn	31-F412-1
Flexibox 19", 15U/500MMD, 1Secn	31-F415-1

Dimensions

U	Height	
	Overall	Usable
6U	341.75	272.75
9U	475.10	406.10
12U	608.45	539.45
15U	741.80	672.80

Optional Accessories

- Rear Panel
- Cantilever Shelf
- Cable Manager
- AC Power Distribution Box
- Fan 90CFM, 230V AC
- Front Panel Mounting Hardware