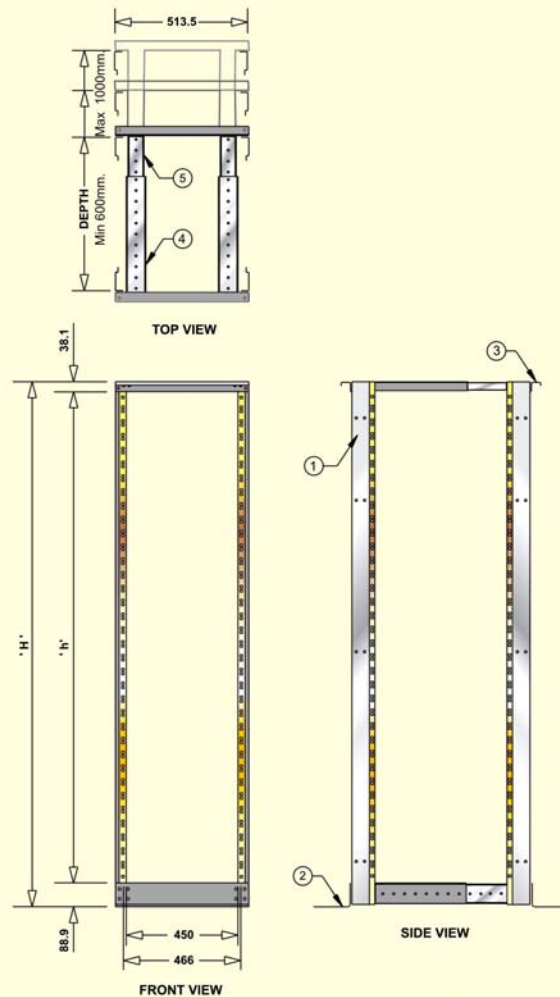


# 4-POST OPEN FRAME RACK



## 4-POST OPEN FRAME



All dimensions shown are in mm.

### Scope of Supply

No.	Description
1	Vertical Pillar 42U/45U, CRCA 2.0mm Thk
2	Base Angle
3	Top Angle
4	Depth Support Channel Sliding Male T/B
5	Depth Support Channel Sliding Female T/B
6	Hardware Set

### Dimensions

U	Height	
	Overall H	Usable h
42U	1995.5	1868.5
45U	2128.9	2001.9

- NOTE : 1) Minimum contracted depth 600mm  
2) Maximum extended depth 1000mm