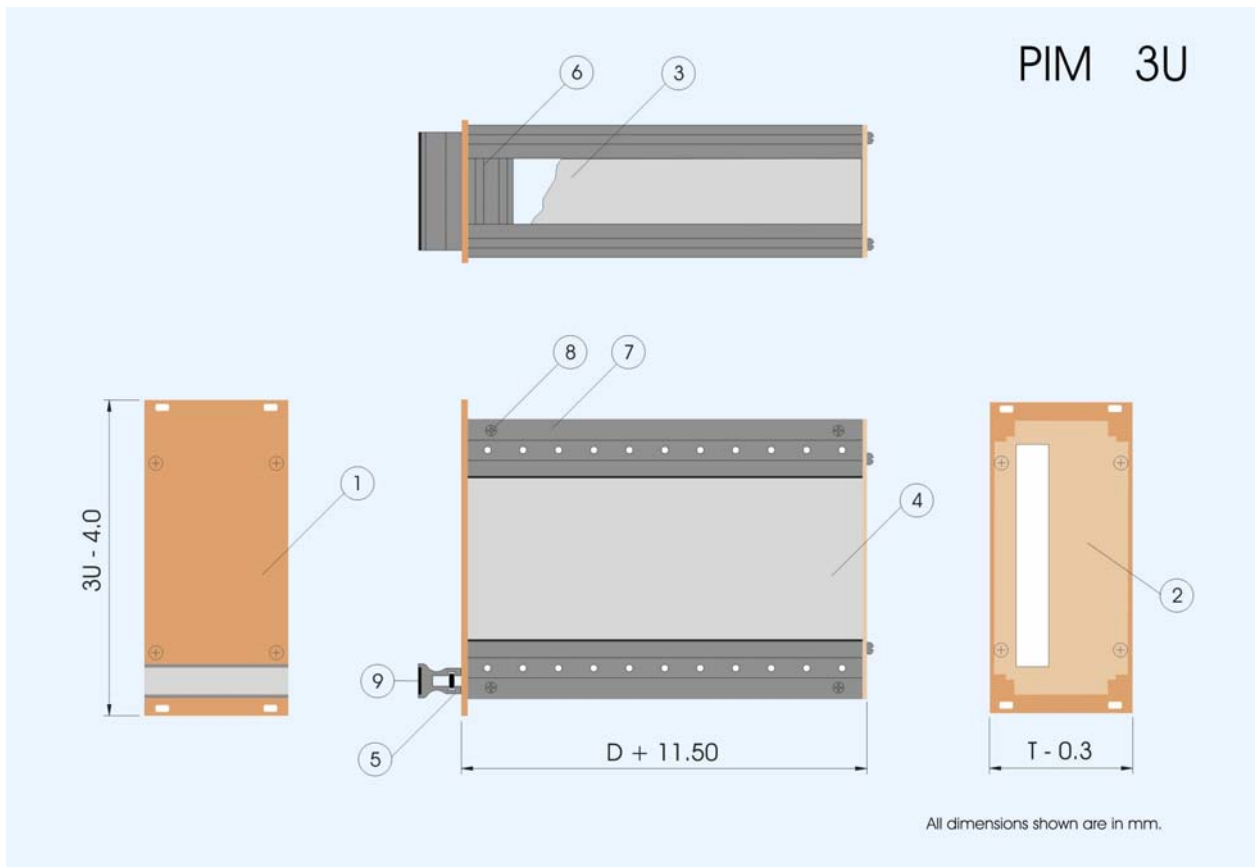
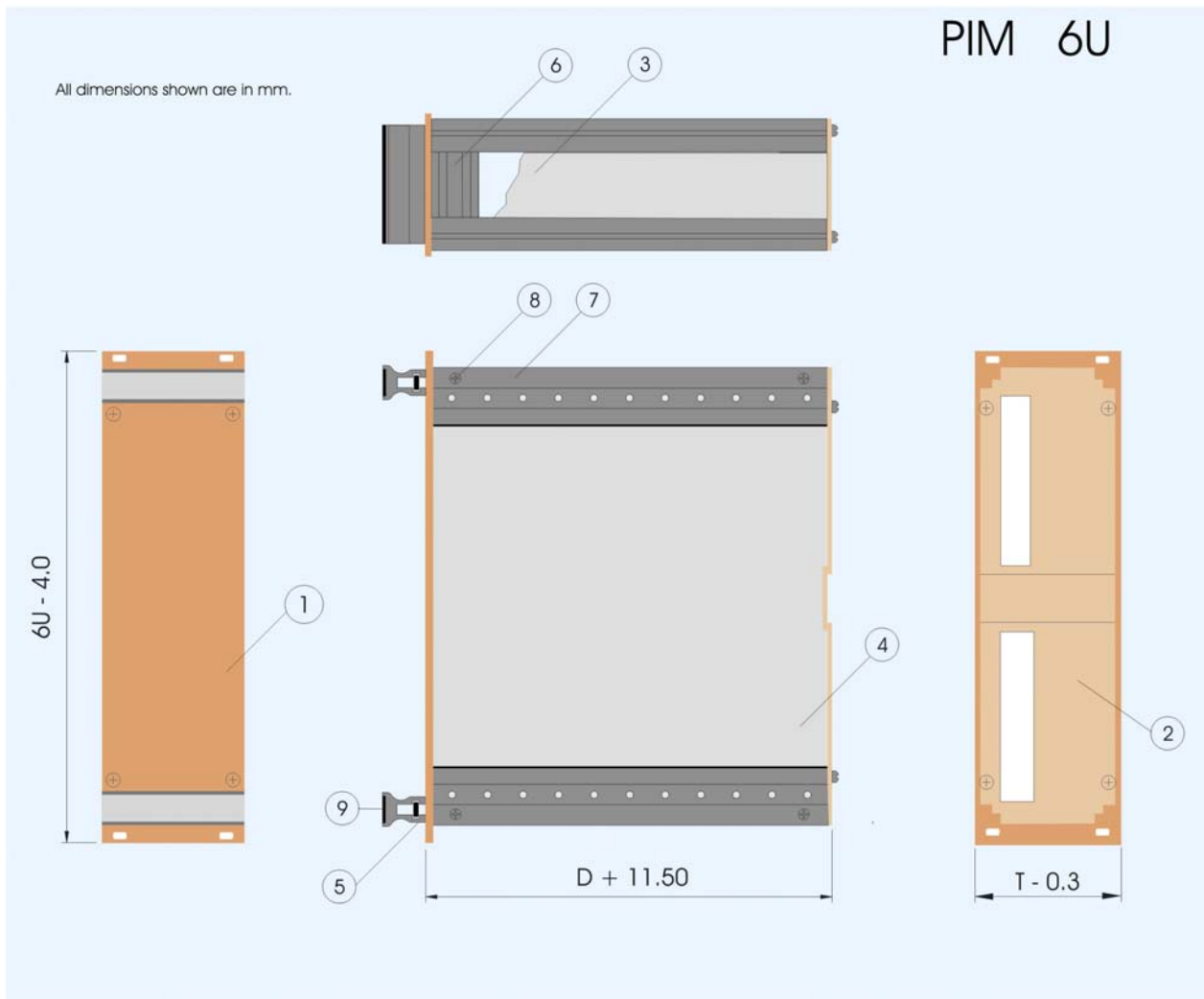


# Plug-in-Modules



# Plug-in-Modules



## Scope of Supply

No	Description	Qty
1	Front Panel	1
2	Rear Panel	1
3	Cover Top/ Bottom	2
4	Cover Side	2
5	Profile Facia Handle	1
6	Profile PIM Width	4
7	Profile PIM Depth	4
8	Hardware Set	1
9	Decorative Strip for Facia Handle	1