*Easibox - single section unit*

The *Easibox* range of wall mount cabinets from APW President are ideal for the modern office environment. These enclosures are available in either single section or double section configuration. The double section design provides easy access to the rear of the equipment mounted in the cabinet. The welded frame construction adds rigidity to the structure. With top and bottom cable entry provision, these wall mount cabinets provide optimal flexibility for cable management.

### Features

#### *Single Section Unit*

- Rigid frame that can be fixed to the wall
- Adjustable 19" rails in the front and rear
- Top and bottom cable entry facility
- Front section with glass door and lock
- Maximum load rating of 40 kgs
- 600mm wide x 500mm deep

#### *Double Section Unit - additional features*

- Rigid welded frame
- Rear wall-mounted section hinged to the front section
- Maximum load rating of 20 kgs
- Adjustable 19" rails at the front only

### Sizes

Heights : 6U, 9U, 12U and 15U  
Width x Depth : 600mm x 500mm

### Material and Finish

- Steel cabinet powder coated Light Grey ( RAL 7035)
- Steel door and glass door trims powder coated Light Grey ( RAL 7035)

### Optional Accessories

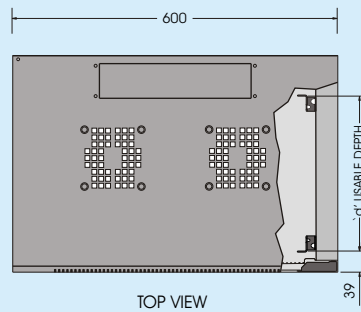
- 1U fan tray, 2 fan position
- Cooling fans
- Cantilever shelf
- Cable managers
- Earth continuity kit
- AC power distribution box

*Easibox - double section unit*

### Ordering Information

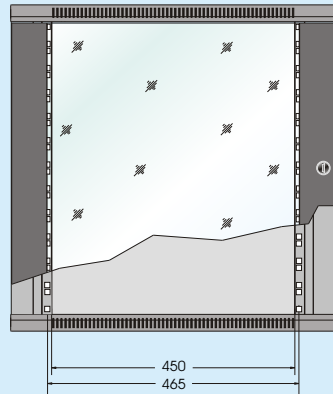
Usable Height	Single Section	Double Section
6U	31-E406-F	31-C206-F
9U	31-E409-F	31-C209-F
12U	31-E412-F	31-C212-F
15U	31-E415-F	31-C215-F

**EASIBOX SINGLE SECTION**

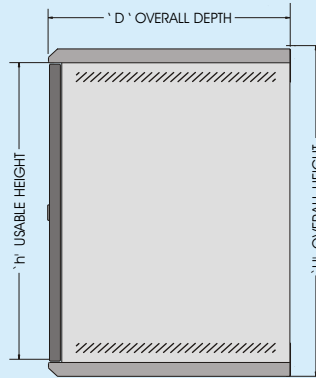


TOP VIEW

HEIGHT	DIM 'H'	DIM 'h'	DEPTH 'D'	USABLE 'd'
6U	322.5	270.0	400	285
9U	455.8	403.3	500	385
12U	589.2	536.7		
15U	723.5	671.0		



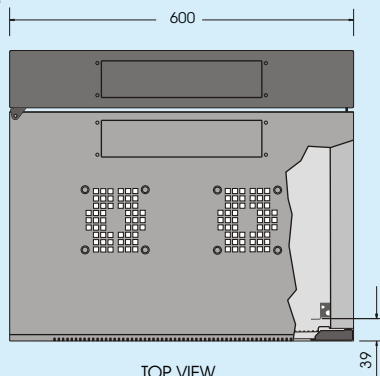
FRONT VIEW



SIDE VIEW - RHS

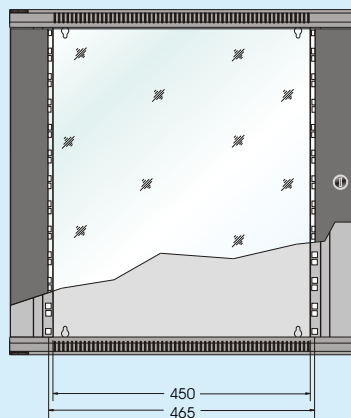
All dimensions shown are in mm.

**EASIBOX DOUBLE SECTION**

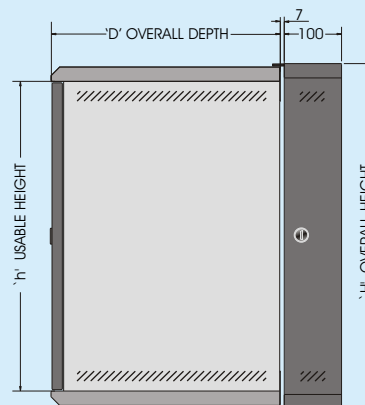


TOP VIEW

HEIGHT	DIM 'H'	DIM 'h'	DEPTH 'D'
6U	334.5	270.0	400
9U	467.8	403.3	
12U	601.2	536.7	
15U	735.5	671.0	



FRONT VIEW



SIDE VIEW - RHS

All dimensions shown are in mm.